

Intake/delivery connections 1" - flow rate 150 l/min

BOXER 100



STANDARD: II 3/3G D IIB T 135°C (zone 2)
CONDUCT: II 2/2GD c IIB T 135°C (zone 1)



ALU

Intake/delivery connections G 1" (standard)
with flange DN 25 (on request)

Air connection G 1/2" f

Max. self-priming capacity* 5 m

Max. flow rate* 150 l/min

Max. head* 70 m

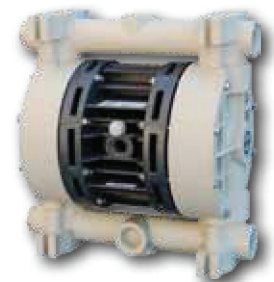
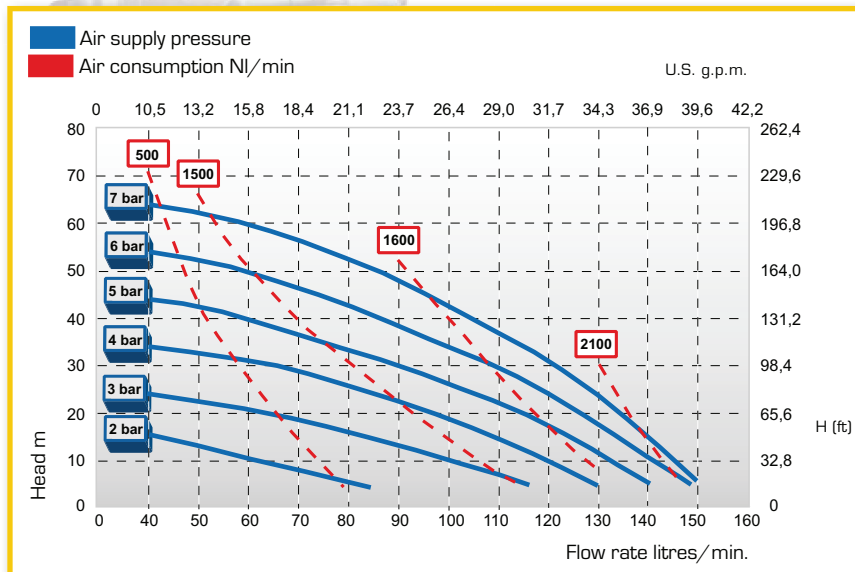
Max. air supply pressure 7 bar

Max. diameter of passing solids (spherical particles) 4 mm

Construction materials	Weight	Max. operating temp.
PP	7,5 Kg	60°C
PVDF	8,5 Kg	95°C
Alu	8,2 Kg	95°C
Aisi 316	11 Kg	95°C

TECHNICAL DATA

PERFORMANCE



PP

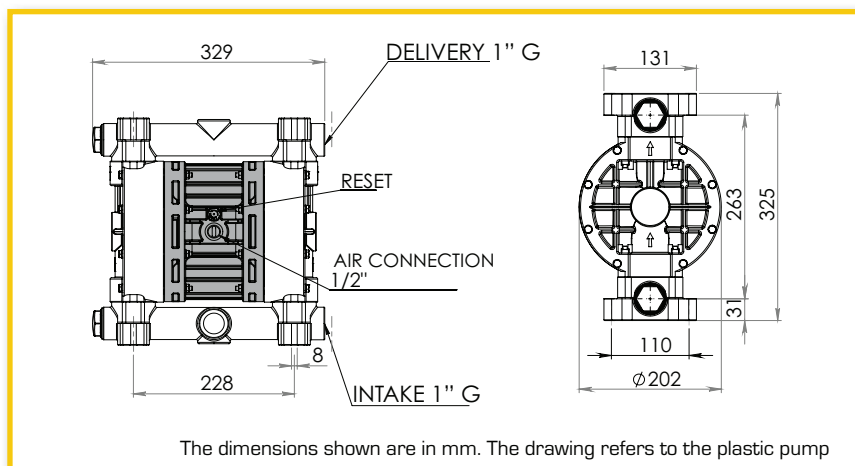


PVDF



Aisi 316

DIMENSIONS



The dimensions shown are in mm. The drawing refers to the plastic pump

*The curves and performance values refer to pumps with submerged suction and a free delivery outlet with water at 20°C, and vary according to the construction material. All the values shown are approximate and not binding