



Intake/delivery connections 1" 1/4 - flow rate 220 l/min

BOXER 150



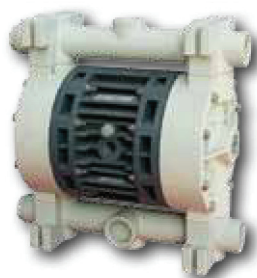
STANDARD: II 3/3G D IIB T 135°C (zone 2)
CONDUCT: II 2/2GD c IIB T 135°C (zone 1)



Aisi 316

Intake/delivery connections	G 1" 1/4 (standard) with flange DN 32 (on request)	
Air connection	G 1/2" f	
Max. self-priming capacity*	5 m	
Max. flow rate*	220 l/min	
Max. head*	70 m	
Max. air supply pressure	7 bar	
Max. diameter of passing solids (spherical particles)	5 mm	
Construction materials	Weight	Max. operating temp.
PP	12 Kg	60°C
PVDF	14 Kg	95°C
Alu	16 Kg	95°C
Aisi 316	21 Kg	95°C

TECHNICAL DATA



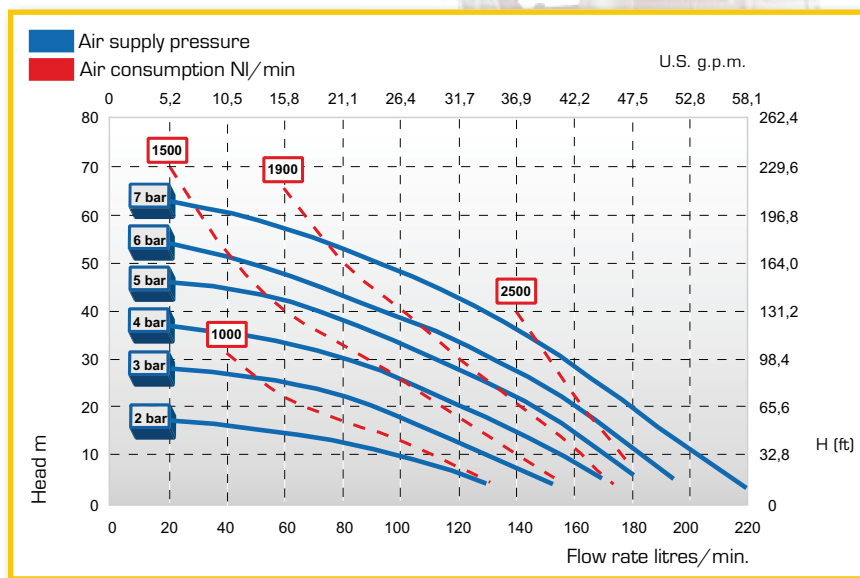
PP



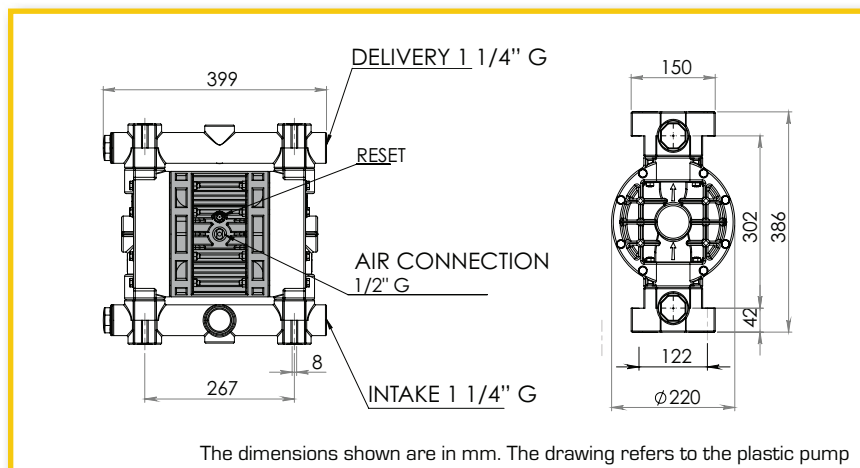
PVDF



ALU



PERFORMANCE



The dimensions shown are in mm. The drawing refers to the plastic pump

*The curves and performance values refer to pumps with submerged suction and a free delivery outlet with water at 20°C, and vary according to the construction material. All the values shown are approximate and not binding

DIMENSIONS