

Intake/delivery connections 1" 1/2 - flow rate 340 l/min

BOXER 251



STANDARD: II 3/3G D IIB T 135°C (zone 2)
CONDUCT: II 2/2GD c IIB T 135°C (zone 1)

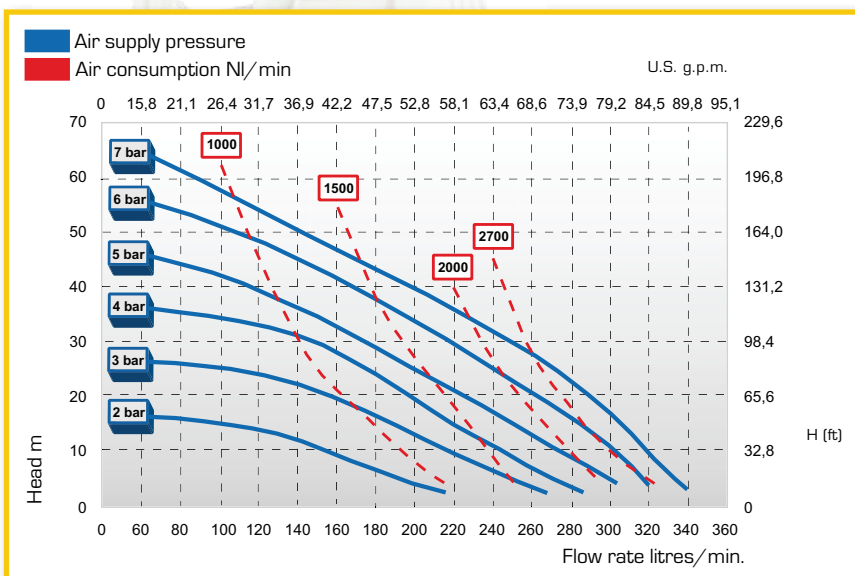


PP

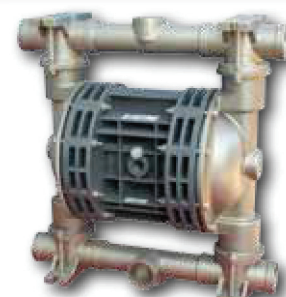
Intake/delivery connections		G 1" 1/2 f (standard) with flange DN 40 (on request)
Air connection		G 1/2" f
Max. self-priming capacity*		5 m
Max. flow rate*		340 l/min
Max. head*		70 m
Max. air supply pressure		7 bar
Max. diameter of passing solids (spherical particles)		6 mm
Construction materials	Weight	Max. operating temp.
PP	16 Kg	60°C
PVDF	20 Kg	95°C
ALU	21Kg	95°C
Aisi 316	32 Kg	95°C

TECHNICAL DATA

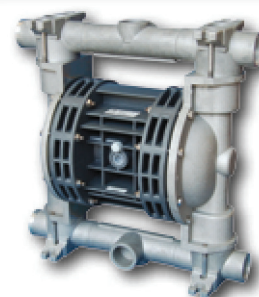
PERFORMANCE



PVDF

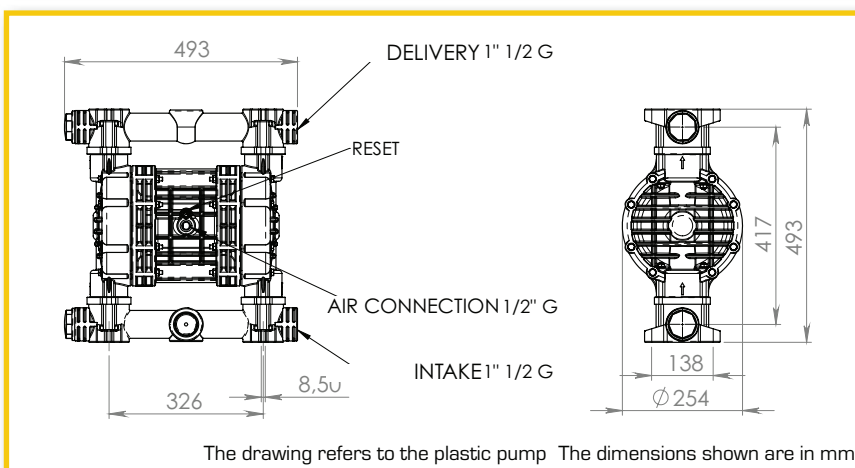


AISI 316



ALU

DIMENSIONS



*The curves and performance values refer to pumps with submerged suction and a free delivery outlet with water at 20°C, and vary according to the construction material.
All the values shown are approximate and not binding