



Intake/delivery connections 3" - flow rate 900 l/min

BOXER 503



STANDARD: II 3/3G D IIB T 135°C (zone 2)
CONDUCT: II 2/2GD c IIB T 135°C (zone 1)

Intake/delivery connections G 3" f (standard)
with flange DN 80 (on request)

Air connection G 3/4" f

Max. self-priming capacity* 5 m

Max. flow rate* 900 l/min

Max. head* 70 m

Max. air supply pressure 7 bar

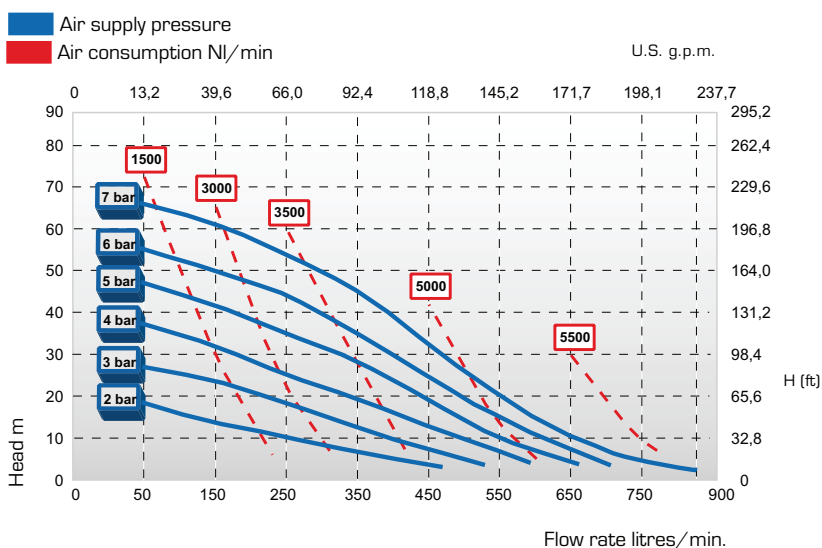
Max. diameter of passing solids (spherical particles) 10 mm

Construction materials	Weight	Max. operating temp.
PP	50 Kg	60°C
PVDF	67 Kg	95°C



PVDF

TECHNICAL DATA

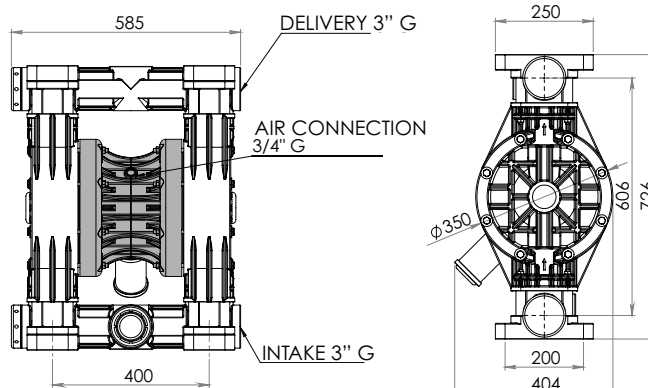


PERFORMANCE

DIMENSIONS



PP



The dimensions shown are in mm

*The curves and performance values refer to pumps with submerged suction and a free delivery outlet with water at 20°C, and vary according to the construction material. All the values shown are approximate and not binding