

Intake/delivery connections 3/8" flow rate 17 l/min

# CUBIC 15



STANDARD: II 3/3G D IIB T 135°C (zone 2)  
CONDUCT: II 2/2GD c IIB T 135°C (zone 1)



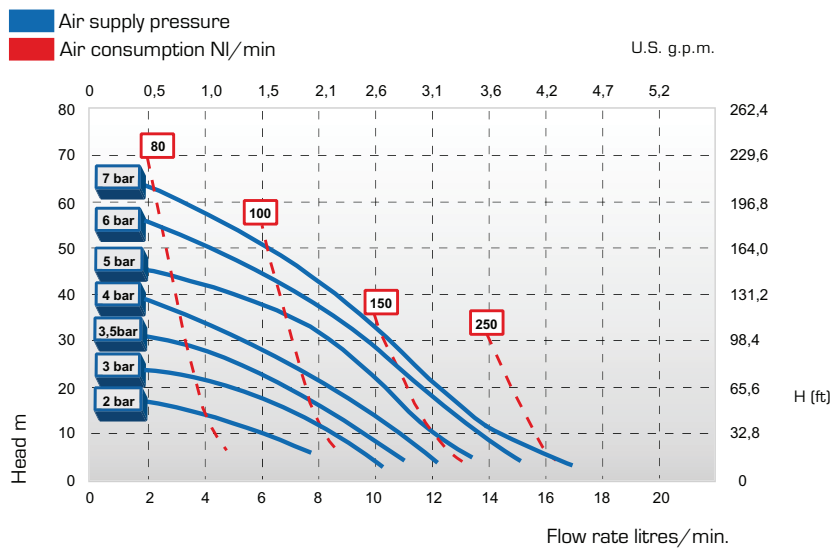
PP

Intake/delivery connections	G 3/8" f
Air connection	G 3/8" f
Max. self-priming capacity*	3 m
Max. flow rate*	17 l/min
Max. head*	70 m
Max. air supply pressure	7 bar
Max. diameter of passing solids (spherical particles)	0,5 mm

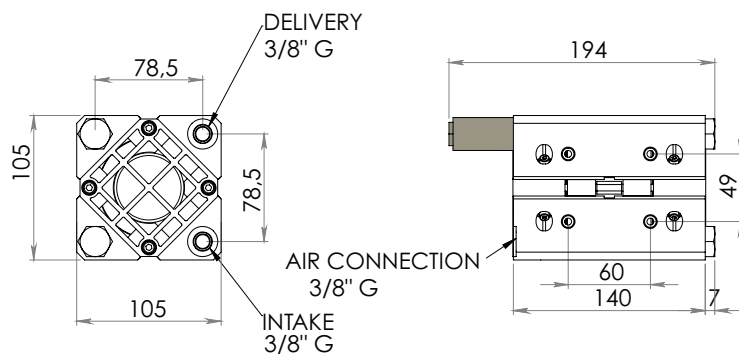
Construction materials	Weight	Max. operating temp.
PP	1 Kg	60°C
ECTFE	1,5 Kg	95°C

## TECHNICAL DATA

### PERFORMANCE



### DIMENSIONS



The dimensions shown are in mm



ECTFE

\*The curves and performance values refer to pumps with submerged suction and a free delivery outlet with water at 20°C, and vary according to the construction material. All the values shown are approximate and not binding