

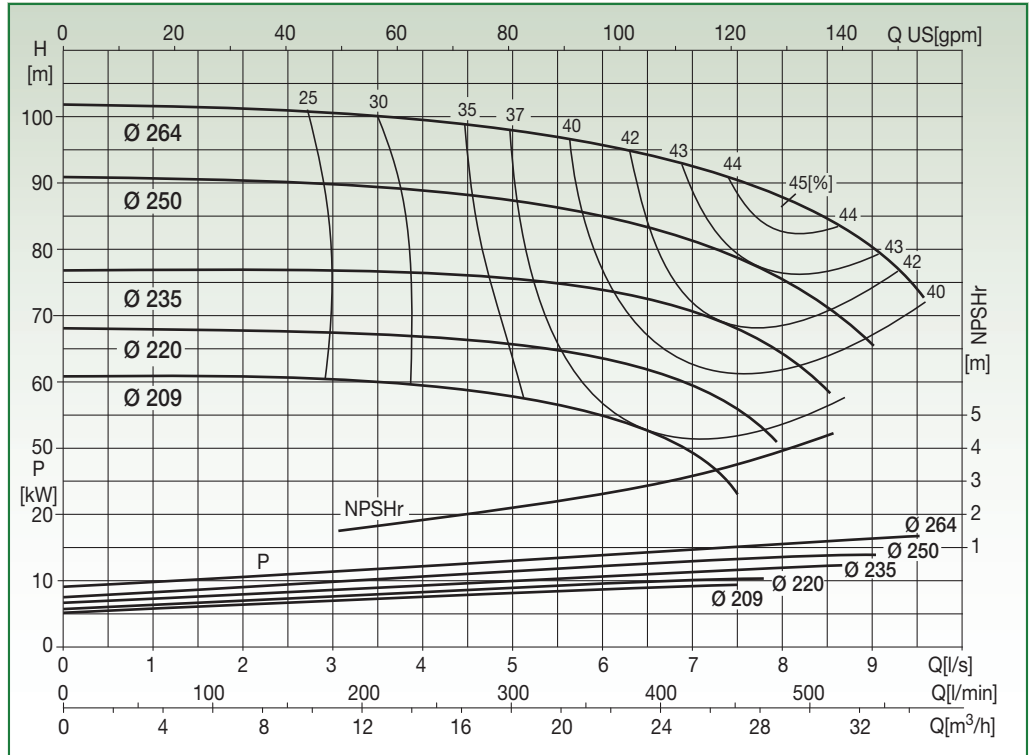
N2SG 32-26

EN 733 STANDARD PUMP 2900 rpm



Liquid temp.: -10°C +120°C
Max. ambient temp.: +40°C

Special versions on request

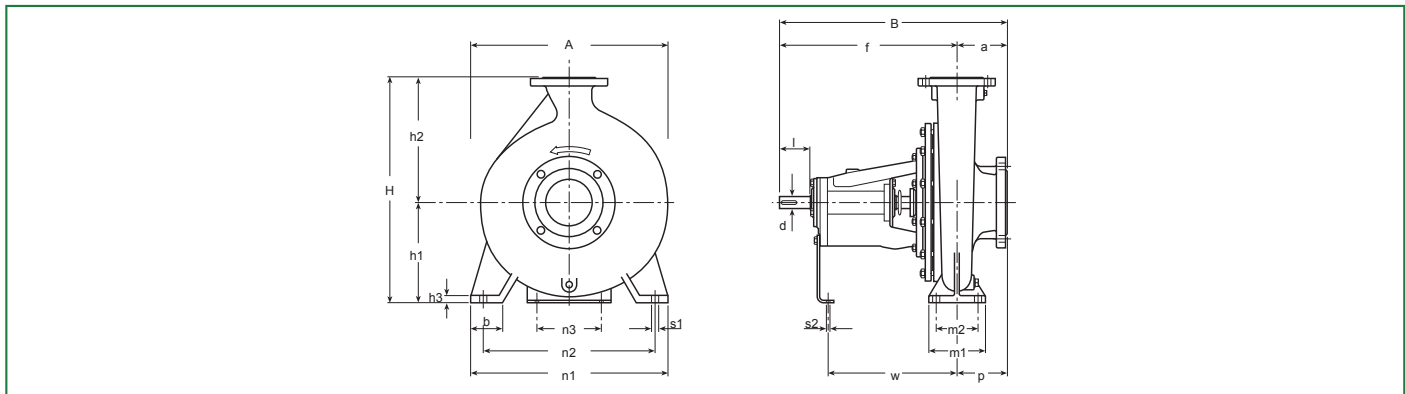


Test to UNI EN ISO 9906 level 2 - Test liquid: water ($\rho = 1000 \text{ kg/m}^3$, kinematic viscosity $\nu = 1 \text{ mm}^2/\text{s}$)
Tolerance on performance curves to UNI EN ISO 9906 Annex A

BARE SHAFT

PERFORMANCE DATA

| Code | Type | Motor P2 Rated | | Capacity | | | | | | | | | | | | | |
|----------|----------------|----------------|------|----------|-------|-------|-------|-------|------|------|------|------|------|------|------|--|--|
| | | [kW] | [HP] | l/s | 0 | 1 | 2 | 3 | 4 | 5 | 6 | 7 | 8 | 9 | 9,5 | | |
| | | | | m³/h | 0 | 3,6 | 7,2 | 10,8 | 14,4 | 18 | 21,6 | 25,2 | 28,8 | 32,4 | 34,2 | | |
| 10037955 | N2SG 32-26.209 | 9 | 12,5 | H [m] | 60,7 | 60,7 | 90,7 | 60,3 | 59,3 | 57,7 | 54,8 | 49,2 | | | | | |
| 10037956 | N2SG 32-26.220 | 15 | 20 | | 68 | 67,8 | 67,3 | 66,7 | 65,5 | 63,5 | 70,5 | 64,2 | | | | | |
| 10035042 | N2SG 32-26.235 | 15 | 20 | | 76,8 | 76,8 | 76,8 | 76,8 | 76,4 | 75,6 | 73,8 | 70,6 | 64,2 | | | | |
| 10036621 | N2SG 32-26.250 | 15 | 20 | | 91 | 90,7 | 90,3 | 89,6 | 88,8 | 87,2 | 84,8 | 81,2 | 75,4 | 65,5 | | | |
| 10032194 | N2SG 32-26.264 | 18,5 | 25 | | 101,7 | 101,5 | 100,2 | 100,5 | 99,5 | 97,9 | 95,7 | 92,5 | 87,8 | 80,2 | 73,8 | | |



DIMENSIONAL DATA

| Type | DNA | DNM | Pump | | | | | | | | | | | | | | Shaft | | Key | Weight [kg] | A [mm] | B [mm] | H [mm] | Area [m²] | Vol. [m³] | |
|------------|-----|-----|------|-----|----------------|----------------|----|----------------|----------------|----------------|----------------|----------------|----------------|----------------|----------------|-----|-------|----|-----|-------------|--------|--------|--------|-----------|-----------|------|
| | | | a | f | h ₁ | h ₂ | b | m ₁ | m ₂ | n ₁ | n ₂ | n ₃ | h ₃ | s ₁ | s ₂ | w | p | d | | | | | | | | l |
| N2SG 32-26 | 50 | 32 | 100 | 360 | 180 | 225 | 65 | 125 | 95 | 320 | 250 | 110 | 14 | 14 | 14 | 167 | 100 | 24 | 50 | 8x7 | 59 | 320 | 460 | 405 | 0,15 | 0,06 |