

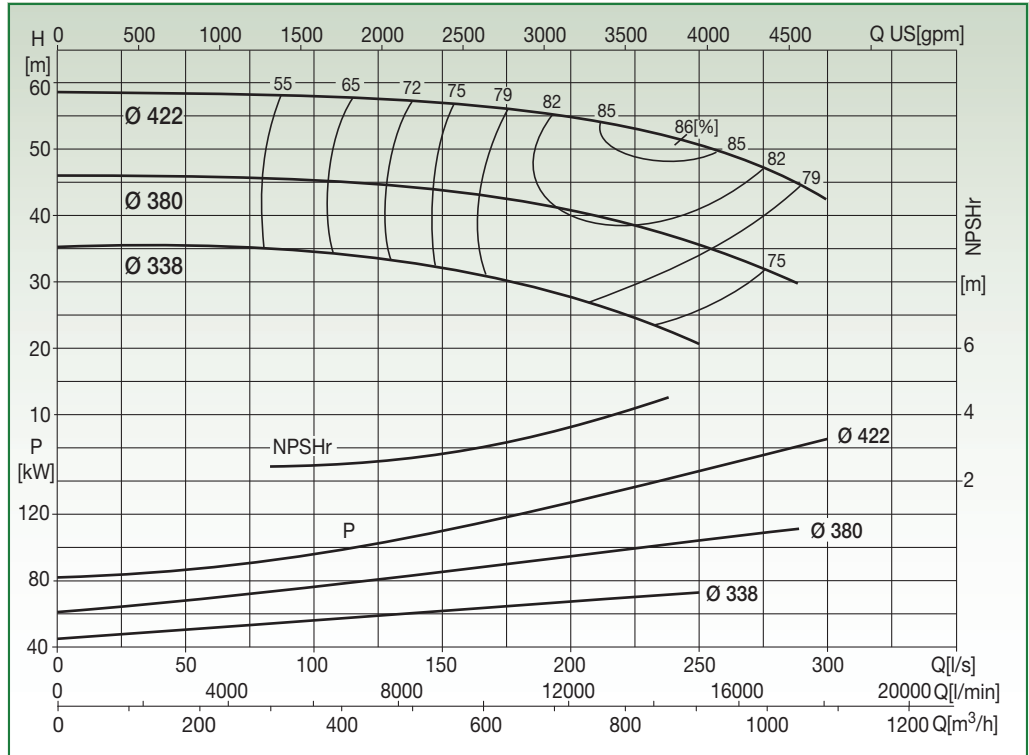
N4SG 250-40

EN 733 STANDARD PUMP 1450 rpm



Liquid temp.: -10°C +120°C
Max. ambient temp.: +40°C

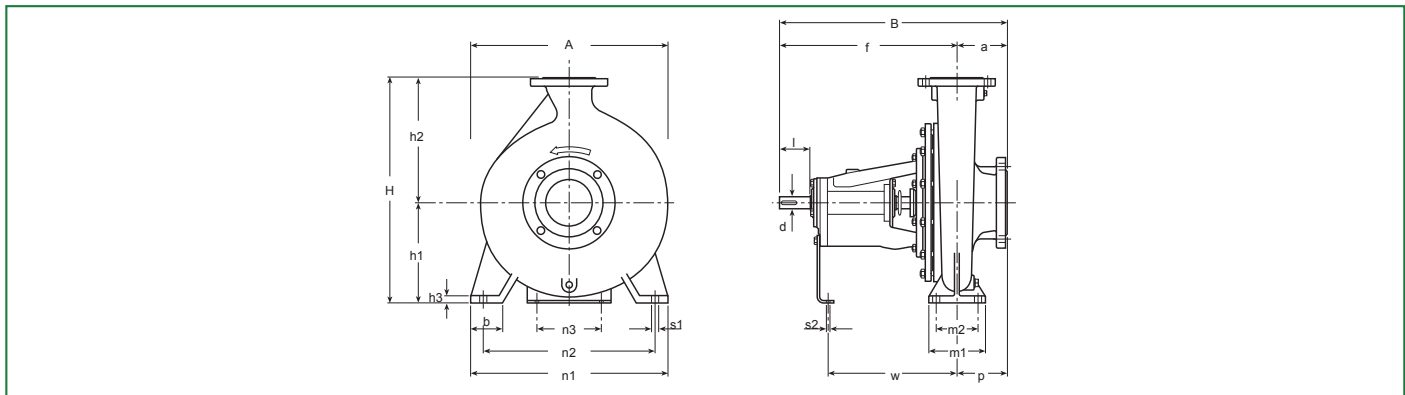
Special versions on request



Test to UNI EN ISO 9906 level 2 - Test liquid: water ($\rho = 1000 \text{ kg/m}^3$, kinematic viscosity $\nu = 1 \text{ mm}^2/\text{s}$)
Tolerance on performance curves to UNI EN ISO 9906 Annex A

PERFORMANCE DATA

Code	Type	Motor P2 Rated		Capacity															
		[kW]	[HP]	l/s	0	50	100	150	200	250	275	300	0	4000	8000	12000	16000	20000	
10038235	N4SG 250-40.338	75	100	H [m]	35	35,4	34,6	32,2	27,8	20,8									
10038249	N4SG 250-40.380	110	150		46	45,8	45,2	43,8	40,8	35,6	32								
10038236	N4SG 250-40.422	160	215		58,4	58,2	57,8	56,8	54,8	50,6	47,2	42,4							



DIMENSIONAL DATA

Type	DNA	DNM	Pump															Shaft		Key	Weight [kg]	A [mm]	B [mm]	H [mm]	Area [m²]	Vol. [m³]
			a	f	h ₁	h ₂	b	m ₁	m ₂	n ₁	n ₂	n ₃	h ₃	s ₁	s ₂	w	p	d	l							
N4SG 250-40	300	250	220	682	400	560	150	250	200	660	510	110	22	28	14	516	220	48	110	14x9	390	660	902	960	0,60	0,57

BARE SHAFT