




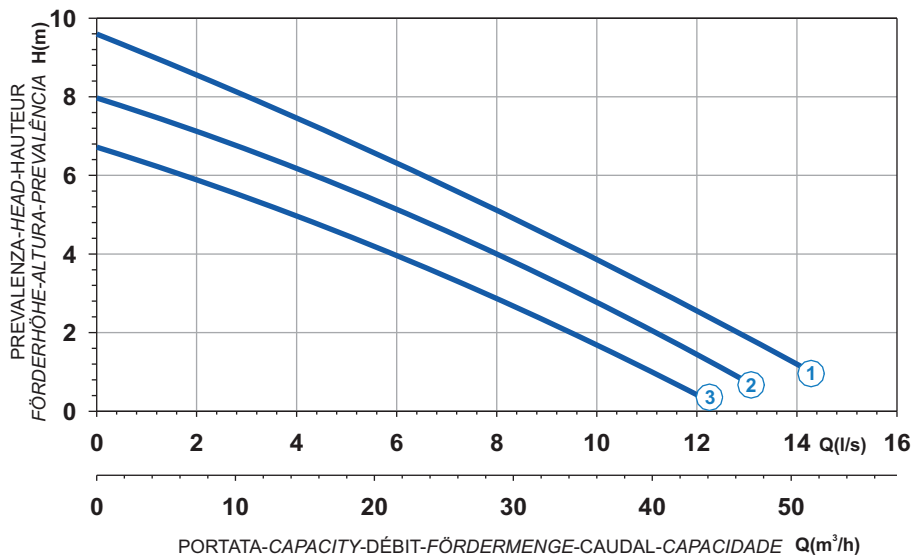

 Ghisa EN-GJL-250	 Cast Iron EN-GJL-250
 Fonte EN-GJL-250	 Grauguss EN-GJL-250
 Hierro fundido EN-GJL-250	 Ferro fundido EN-GJL-250

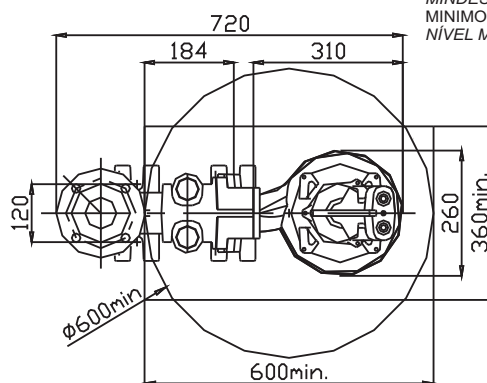
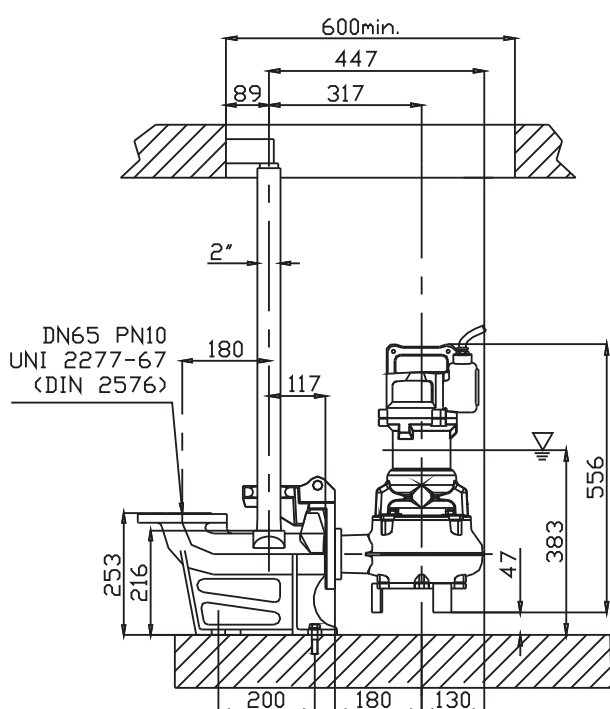
Curva caratteristica - Performance curve - Courbe caractéristique
Kennlinie - Curva característica - Curva característica



Curve N°	Code	Type	MOTOR			ATEX code 
			Nominal power P2 (kW)	Nominal current I (A)	Starting current Is (A)	
1	7002047	G471T6V1-L50AA0	1,3	3,5	16,1	7002702
2	7002048	G471T6V2-L50AA0	1,0	3,0	12	7003843
3	7002049	G471T6V3-L50AA0	1,0	3,0	12	7002811

Power supply	3ph 400V 50Hz
R.P.M.	1450
Free passage (mm)	50
Discharge (mm)	DN 65
Weight (Kg)	42

Dimensioni - Dimensions - Dimensions - Abmessungen - Dimensiones - Dimensões (mm)



▽ LIVELLO MINIMO SOMMERGIBILITÀ
MINIMUM SUBMERSIBLE LEVEL
NIVEAU MINIMUM D'IMMERSION
MINDESTWASSERSTAND
MINIMO NÍVEL
NÍVEL MÍNIMO DE SUBMERGIBILIDADE

